



A-SAFE

Slider Base Plates



Designed for zones where maintaining a length of guardrail is essential for segregation and protection purposes, but access is still required on an infrequent basis.

Slider Plates maintain the integrity of an overall run of guardrail but allow sections to be easily removed as and when access is required usually for vehicle or maintenance purposes.

By fixing the Slider Plates to the floor rather than the guardrails, the guardrails themselves can be conveniently slid out of position, allowing for fast and efficient access to maximise productivity.

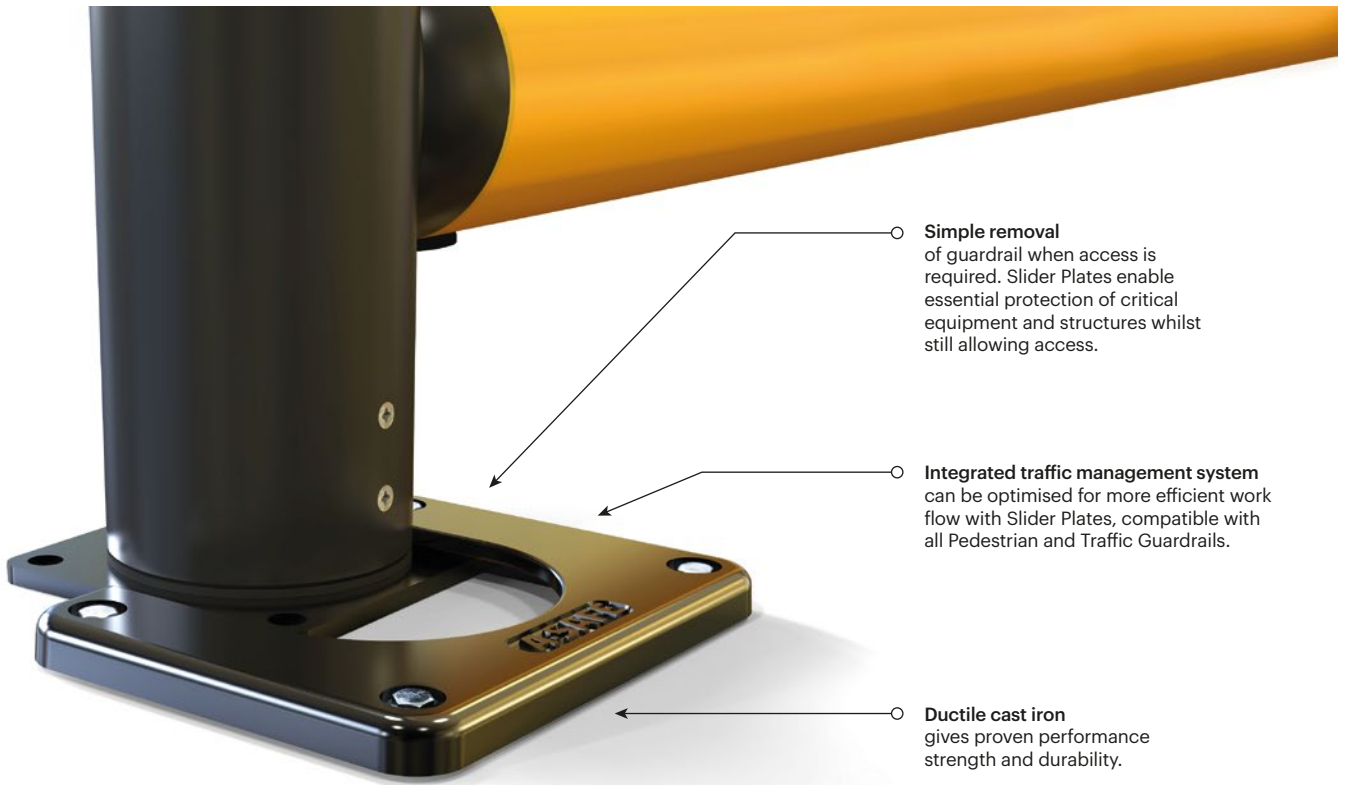
Tested to the
global benchmark
in guardrail safety

bsi. PAS 13
Code of Practice for
Workplace Safety
Guardrails



Your Authorized A-SAFE Distributor
856-687-2227 • sales@banksindustrial.com • BanksIndustrial.com
PO Box 382 • Berlin, NJ 08009

Engineered for performance



Technical Information

